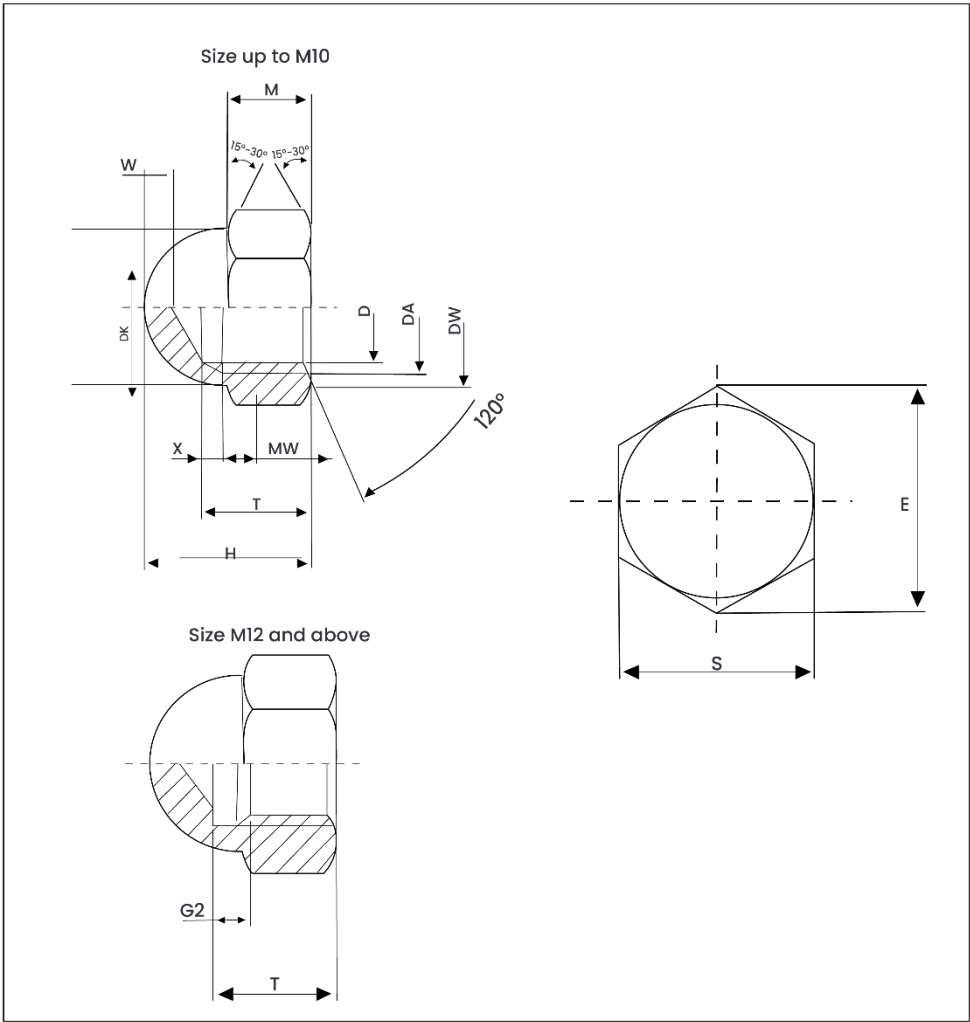




DIN 1587 Hexagon Domed Cap Nut



Metric Dimensions – DIN 1587 Hexagon Domed Cap Nut

Table 1: Metric Dimensions – M4 to M12

Thread D		M4	M5	M6	M8	M10		M12		
Pitch		0.70	0.80	1	1.25	1.50		1.75		
DA	<i>Min.</i>	4	5	6	8	10		12		
	<i>Max.</i>	4.60	5.75	6.75	8.75	10.80		13		
DK	<i>Max.</i>	6.50	7.50	9.50	12.50	15	16	17	18	
DW	<i>Min.</i>	5.80	6.80	8.30	11.30	14.30	15.30	16.20	17.20	
E	<i>Product Grade A</i>	7.66	8.79	11.05	14.38	17.77	18.90	20.03	21.10	
	<i>Product Grade B</i>	7.50	8.63	10.89	14.20	17.59	18.72	19.85	20.88	
G2	<i>Max.</i>	-	-	-	-	-		6.40		
X	<i>Max.</i>	1.40	1.60	2	2.50	3		-		
S	<i>Min.</i>	Product Grade A	6.78	7.78	9.78	12.73	15.73	16.73	17.73	18.67
		Product Grade B	6.64	7.64	9.64	12.57	15.57	16.57	17.57	18.48
	<i>Max.</i>		7	8	10	13	16	17	18	19
H	<i>Min.</i>	Product Grade A	7.64	9.64	11.57	14.57	17.57		21.48	
		Product Grade B	7.42	9.42	11.30	14.30	17.30		21.16	
	<i>Max.</i>		8	10	12	15	18		22	
M	<i>Min.</i>	2.90	3.70	4.70	6.14	7.64		9.64		
	<i>Max.</i>	3.20	4	5	6.50	8		10		
MW	<i>Min.</i>	2.32	2.96	3.76	4.91	6.11		7.71		
T	<i>Min.</i>	5.26	7.21	7.71	10.65	12.65		15.65		
	<i>Max.</i>	5.74	7.79	8.29	11.35	13.35		16.35		
W	<i>Min.</i>	2	2	2	2	2		3		

Table 2: Metric Dimensions – M14 to M24

Thread D		M14	M16	M18	M20	M22		M24		
Pitch		2	2	2.50	2.50	2.50		3		
DA	<i>Min.</i>	14	16	18	20	22		24		
	<i>Max.</i>	15.10		17.30	19.50	21.60	23.70		25.90	
DK	<i>Max.</i>	20	21	23	26	28	31	33	34	
DW	<i>Min.</i>	19.20	20.20	22.20	25.30	28.20	29.50	31.40	33.20	
E	<i>Product Grade A</i>	23.35	24.49	26.75	30.14	33.53	35.72	37.72	39.98	
	<i>Product Grade B</i>	22.78	23.91	26.17	29.56	32.95	35.03	37.29	39.55	
G2	<i>Max.</i>	7.30		7.30	9.30	9.30	9.30		10.70	
S	<i>Min.</i>	<i>Product Grade A</i>	20.67	21.67	23.67	26.67	29.67	31.61	33.38	35.38
		<i>Product Grade B</i>	20.16	21.16	23.16	26.16	29.16	31	33	35
	<i>Max.</i>	21	22	24	27	30	32	34	36	
H	<i>Min.</i>	<i>Product Grade A</i>	24.48		27.48	31.38	33.38	38.38		41.38
		<i>Product Grade B</i>	24.16		27.16	31	33	38		41
	<i>Max.</i>	25		28	32	34	39		42	
M	<i>Min.</i>	10.30		12.30	14.30	14.90	16.90		17.70	
	<i>Max.</i>	11		13	15	16	18		19	
MW	<i>Min.</i>	8.24		9.84	11.44	11.92	13.52		14.16	
T	<i>Min.</i>	17.65		20.58	24.58	25.58	28.58		30.50	
	<i>Max.</i>	18.35		21.42	25.42	26.42	29.42		31.50	
W	<i>Min.</i>	4		4	5	5	5		6	